



Charlatte Beltloader Model CBL2000E is capable of servicing all types of aircraft with door sill heights ranging from 30" up to 170". Power for the main drive is supplied by a 24.8 hp DC series wound motor which gives the unit a 16 MPH running speed on level ground. The majority of major components are compatible with the T-135 electric baggage tractor.

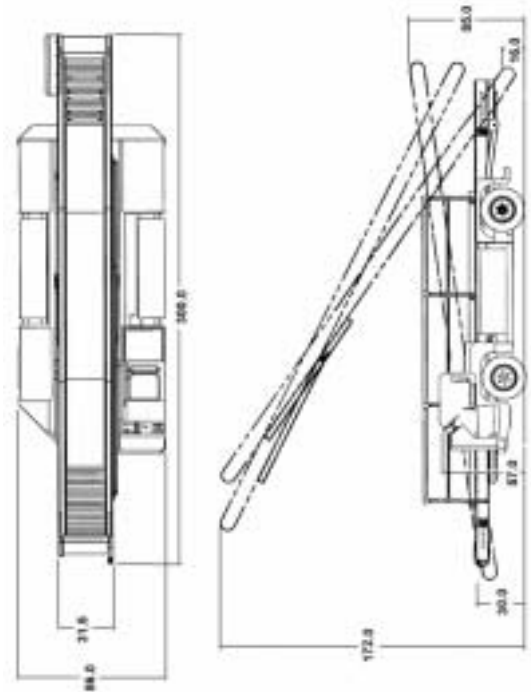
Standard Features Include:

- Dual Hydraulic Braking (Front - Disc, Rear - Drum)
- Hydraulic Power Steering
- Flush Mounted Belt Controls
- Self-Aligning Belt with Three Belt Speeds
- Direct Drive Belt System
- Modular Chassis (Gas, Diesel, and LPG available)

CBL2000E

TECHNICAL CHARACTERISTICS

Manufacturer	Manufacturer		Charlatte of America
Model	Manufacturer's Designation		CBL2000E
Energy Source	Battery	Volts	72 or 80
Battery Capacity	Ampere Hour Options	AH	248 / 440 / 600
Battery Weight		lb	1872 / 2520 / 3348
		kg	851 / 1145 / 1522
Controller	Manufacturer		Sevcon
	Output Rating	Volts/Watts	80 - 16000
Converter	Manufacturer		Sevcon
	Output Rating	Volts/Watts	13.5 / 250
Traction Motor	Manufacturer		LEROY SOMER
	Model		T25G
	Rating @ 72 Volts	hp / kw	24.8 / 18.5
Dimensions	Length w/o Belt Structure Guard	in / cm	300.0 / 762.0
	Width	in / cm	86.0 / 218.4
	Height (over steering wheel)	in / cm	58.0 / 147.3
	Sitting Height	in / cm	35.5 / 90.2
	Outside Turning Radius (Belt)	ft / cm	25.0 / 762.0
	Outside Turning Radius (Chassis)	ft/ cm	23.0 / 701.0
Performance	Speed Empty	mph / km/h	16 / 26
	Gross Weight with Battery	lb / kg	9750 / 4432
Chassis	Frame Mfg. W/Jigs & Fixtures		Yes
	Auto Design Wiring Harness		Yes
	Wheels Front/Rear		One Piece Rim
	Tires Front	Front/Rear	225/75 X 16
	Wheel Base C/L	in / cm	112.0 / 284.5
	Track Width C/L Front/Rear	in / cm	69 / 175.3
	Ground Clearance	in / cm	6.5 / 16.5
	Service Brake Front/Rear		Disc / Drum
	Parking Brake		Drum
	Suspension	Front	Solid
	Rear	Two – 6 Leaf Springs	
Belt Structure	Drive (Electric)	Volts	72 or 80
	Boom Width	in / cm	31.5 / 80.0
	Belt Width	in / cm	24.0 / 60.96
	Roller Spacing	in / cm	6.0 / 15.2
	Belt Height Front Max/Min	in / cm	172/436.8 – 30.0/101.6
	Belt Height Rear Max/Min	in / cm	85.0/215.9 – 16.0/40.6
	Belt Speed Max/Min	ft/min/cm/rev	30.0/914.4 – 100.0/3048.0
	Belt Length	in / cm	297.0 / 754.4
	Power Roller Diameter	in / cm	9.0 / 22.9
Drive Axle	Manufacturer		Charlatte
	Motor Drive Line		No
	Total Reduction		17:1
Front Axle	Manufacturer		Palliard
	Model		3390D08



CHARLATTE
G S E
FAYAT GROUP

Charlatte America

P.O. Box 968
600 Mountain Lane
Bluefield, VA 24605
Phone: (276) 326-1510
Fax: (276) 326-1602
e-mail: equipmentsales@charlatteus.com

Charlatte France

Z.I. – Route du Boutoir
89210 Brienon sur Armancon (France)
Phone: (33) 386 43 01 30
Fax: (33) 386 43 04 66
e-mail: manutention@charlatte.fr

Charlatte United Kingdom

The Studio
Hall Farm Cottages
Stanton Lane
Potters Marston
Leicester LE9 3JR
Phone: (44) 01 1455 272 212
Fax: (44) 01 1455 274 393
Mobile: (44) 07 767 230 149
e-mail: sales@charlatteuk.com

These descriptions are given as an indication only and do not represent a commitment